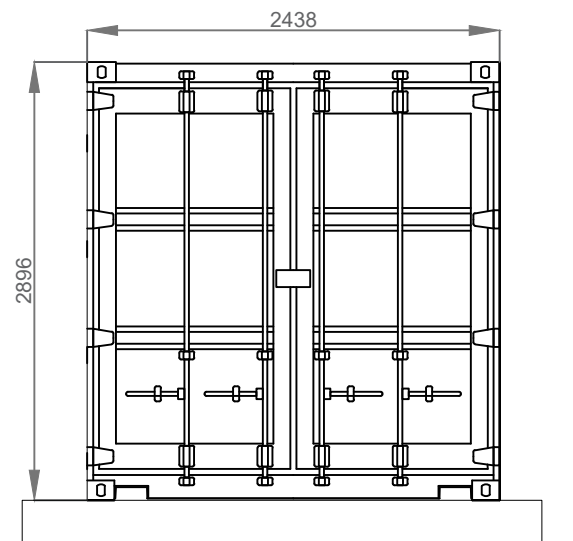
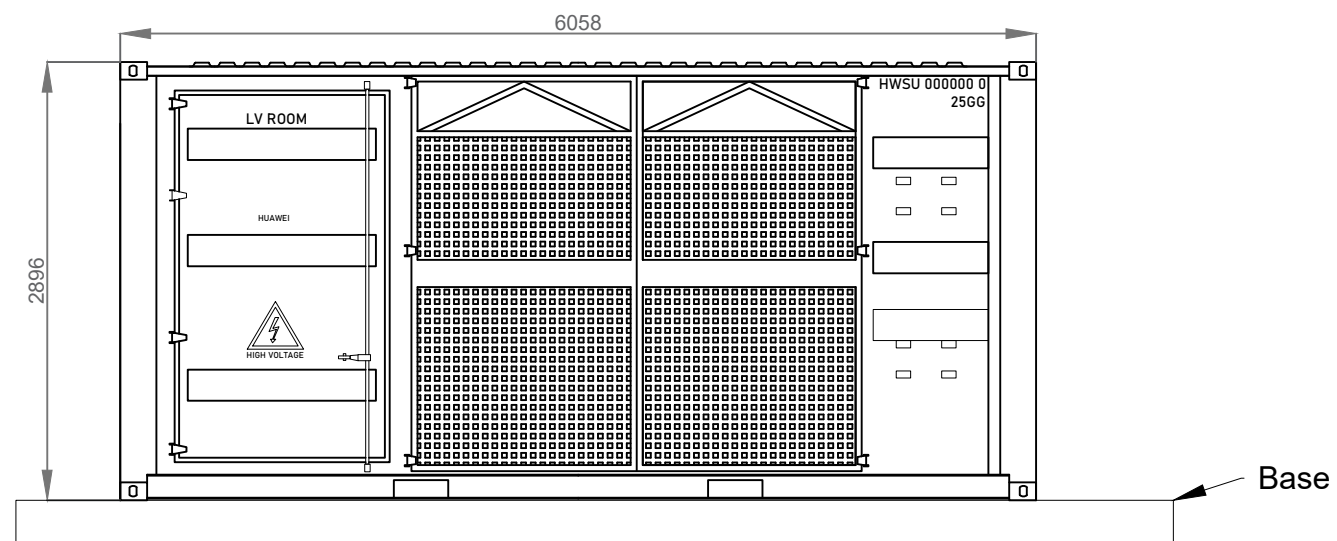


Top View



Side View



Front View

Infrastructure Planning (Applications: Prescribed Forms and Procedure) Regulations 2009 APFP Regulation: 5(2)(a)

PINS REFERENCE NUMBER
EN010127

Note: Dimensions in mm

P0 DCO Submission
REV. DESCRIPTION

RP 22/11/22
APP. DATE



PROJECT TITLE
MALLARD PASS SOLAR FARM

DRAWING TITLE
Figure 5.3c: Illustrative Elevations of Container Solar Station for String Inverters

ISSUED BY	Oxford	T: 01865 887050
DATE	Nov 2022	DRAWN BC
SCALE @A3	1:50	CHECKED SA
STATUS	Final	APPROVED KS

DWG. NO. Figure 5.3c REV: P0

No dimensions are to be scaled from this drawing.
All dimensions are to be checked on site.
Area measurements for indicative purposes only.

© LDA Design Consulting Ltd. Quality Assured to BS EN ISO 9001 : 2015

Sources: Ordnance Survey